

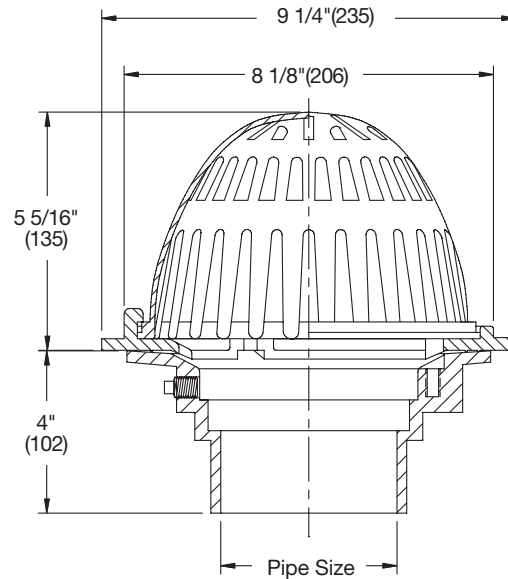
## Roof Drains

### RD-200

### Small Area Roof Drain



Model Number	Outlet Size	WT., lbs.	List Price
RD-202, 3, 4	2,3,4, "	15	\$490.50

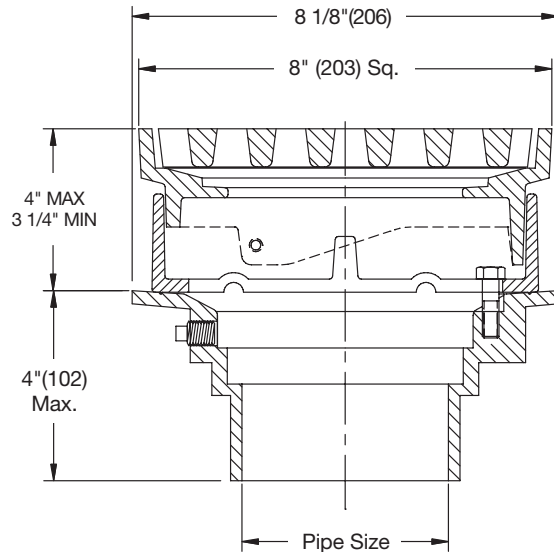


### RD-200-CP

### Roof Drain with 8" x 8" Promenade Top



Model Number	Outlet Size	WT., lbs.	Grate	List Price
RD-202, 3, 4-CP	2,3,4,\"	22	ductile iron	\$820.50
RD-202, 3, 4-CP-1	2,3,4\"	22	nickel bronze	1,250.00



### Options for RD-200 Series:

Suffix	Description	List Price	Suffix	Description	List Price
None	No Hub	No Add	-K	Ductile Iron Dome	86.50
-5	Sediment Bucket	\$108.00	-K13	Galvanized Dome	238.50
-6	Vandal Proof Top (RD-200-CP)	147.00	-K80	Aluminum Dome	180.00
-9	Hinged Grate	259.00	-K81	Rough Bronze Dome	1,796.00
-13	Galvanized	196.50	-K83	SS Mesh Covered Aluminum Dome	444.50
-60	PVC Body w/Socket Outlet (2,3,4,6\" Only)	No Add	-L	Vandal Proof Dome	114.00
-61	ABS Body w/Socket Outlet (2,3,4\" Only)	No Add	-P	Push-On Outlet	No Add
-85	6\" SS Perforated Extension	436.00	-R	2\" External Water Dam	191.50
-B	Sump Receiver	256.00	-SC	Side Outlet	218.00
-D	Underdeck Clamp	149.00	-T	Threaded Outlet	80.00
-F	Deck Flange/Adj. Extension	500.00	W	Adjustable Internal Water Dam	370.00
-GSS	Stainless Steel Ballast Guard	461.00	-X	Inside Caulik Outlet	No Add

Consult factory for all applications outside of listed parameters.

Prices do not include applicable taxes.

